



### Ideal solution for specialist applications

The Aircel AFS series is manufactured from high grade 316L stainless steel and is designed to meet the requirements of a variety of specialist high pressure and corrosion sensitive applications.

### Three pressure ranges available

The Aircel AFS series features 21 models with pressure ratings of 725 psig, 1450 psig, 5000 psig. Elements are offered in 25, 5, 1 and 0.01 as well as activated carbon filtration grades suitable for a wide range of applications.

## AFS SERIES

### Unique Features

- Specially developed filter materials offer high efficiency with minimum pressure drop
- Elements for 1450 psig and 5000 psig models incorporate a corrosion resistant stainless steel end cap
- Differential pressure ports supplied as standard on all models
- Condensate drain ports supplied plugged



# AFS SERIES

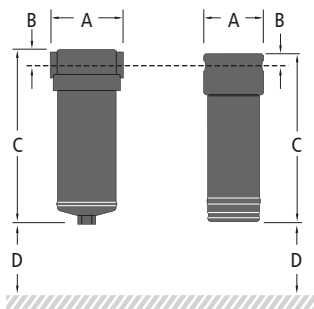
## TECHNICAL SPECIFICATIONS



Filter Model	Pipe Size	Flow Rate		Dimensions inches (mm)				Weight		Element Model
		SCFM	Nm <sup>3</sup> /h	A	B	C	D	lbs	kg	
725 psig (50 barg) maximum working pressure										
AFS60-725 (grade)	¼	60	100	3.35 (85)	0.71 (18)	6.69 (170)	2.95 (75)	3.7	1.7	A60 (grade)HP7E
AFS120-725 (grade)	⅜	120	200	3.35 (85)	0.71 (18)	8.07 (205)	3.94 (100)	4.4	2.0	A120 (grade)HP7E
AFS200-725 (grade)	½	200	340	3.35 (85)	0.71 (18)	10.04 (255)	3.94 (100)	4.8	2.2	A200HP (grade)HP7E
AFS300-725 (grade)	¾	300	500	4.33 (110)	1.06 (27)	10.63 (270)	5.91 (150)	8.8	4.0	A300 (grade)HP7E
AFS600-725 (grade)	1	600	1000	4.33 (110)	1.06 (27)	16.54 (420)	11.81 (300)	11.0	5.0	A600 (grade)HP7E
AFS1000-725 (grade)	1½	1000	1700	5.91 (150)	1.77 (45)	20.67 (525)	11.81 (300)	33.0	15.0	A1000 (grade)HP7E
AFS1200-725 (grade)	2	1200	2040	5.91 (150)	1.77 (45)	20.67 (525)	11.81 (300)	33.0	15.0	AHP1200 (grade)HP7E
AFS2000-725 (grade)	2	2000	3400	5.91 (150)	1.77 (45)	32.48 (825)	19.69 (500)	46.2	21.0	A2000 (grade)HP7E
1450 psig (100 barg) maximum working pressure										
AFS60-1450 (grade)	¼	60	100	2.56 (65)	0.79 (20)	5.31 (135)	2.76 (70)	7.0	3.2	A67 (grade)HP14E
AFS185-1450 (grade)	½	185	315	2.56 (65)	0.79 (20)	9.84 (250)	7.09 (180)	12.3	5.6	A185 (grade)HP14E
AFS270-1450 (grade)	¾	270	460	3.15 (88)	0.98 (25)	10.83 (275)	9.84 (250)	13.4	6.1	A300 (grade)HP14E
AFS400-1450 (grade)	1	400	680	5.31 (132)	1.02 (26)	10.43 (265)	11.81 (300)	23.1	10.5	A400 (grade)HP14E
AFS700-1450 (grade)	1	700	1200	5.31 (132)	1.02 (26)	16.46 (418)	11.81 (300)	32.3	14.7	A775 (grade)HP14E
AFS1000-1450 (grade)	1½	1000	1700	5.91 (150)	1.77 (45)	20.67 (525)	11.81 (300)	48.4	22.0	A1000 (grade)HP14E
AFS2000-1450 (grade)	2	2000	3400	5.91 (150)	1.77 (45)	32.48 (825)	19.69 (500)	61.6	28.0	A2000 (grade)HP14E
5000 psig (350 barg) maximum working pressure										
AFS28-5000 (grade)	¼	28	48	1.61 (41)	0.39 (10)	4.06 (103)	2.36 (60)	3.5	1.6	A28 (grade)HP5E
ATS67-5000 (grade)	¼	67	111	2.56 (65)	0.79 (20)	5.31 (135)	2.76 (70)	7.0	3.2	A67 (grade)HP5E
AFS150-5000 (grade)	½	150	255	3.15 (88)	0.79 (20)	8.27 (210)	5.91 (150)	12.32	5.6	A150 (grade)HP5E
AFS300-5000 (grade)	¾	300	510	3.15 (88)	0.98 (25)	11.02 (280)	5.91 (150)	13.42	6.1	A300 (grade)HP5E
AFS445-5000 (grade)	1	445	750	5.91 (150)	1.38 (35)	12.99 (330)	7.87 (200)	31.9	14.5	A445HP (grade)HP5E
AFS775-5000 (grade)	1	775	1330	5.91 (150)	1.38 (35)	18.90 (480)	11.81 (300)	38.3	17.4	A775 (grade)HP5E

Coalescing filter element grades										
Grade	WS		AF5		AF1		AF01		AC01	
Particle removal	-		5 micron		1 micron		0.01 micron		0.01 micron	
Maximum oil carryover at 20°C (68°F)	-		4.1 ppm	5 mg/m <sup>3</sup>	0.1 ppm	0.1 mg/m <sup>3</sup>	0.01 ppm	0.01 mg/m <sup>3</sup>	0.003 ppm	0.003 mg/m <sup>3</sup>
Maximum temperature	248°F	120°C	248°F	120°C	248°F	120°C	248°F	120°C	122°F*	50°C*

### AFS SERIES Model Dimensions



AFS60-725(grade) to AFS2000-725 (grade) | AFS60-1450(grade) to AFS775-5000 (grade)

### TECHNICAL NOTES

1	All high pressure filters are supplied with a drain plug.
2	Activated carbon filters must not operate in oil saturated conditions and will not remove certain types of gases including carbon monoxide (CO) and carbon dioxide (CO <sub>2</sub> ).
3	Threaded connections are NPT to ANSI B2.1.
4	Filter elements should be changed every 12 months / 8000 hours (whichever comes first). Activated carbon filter elements should be changed every 6 months / 1000 hours (whichever comes first).
5	* Recommended operating temperature 77°F (25°C).
6	** Cannot be used for Water Separators.