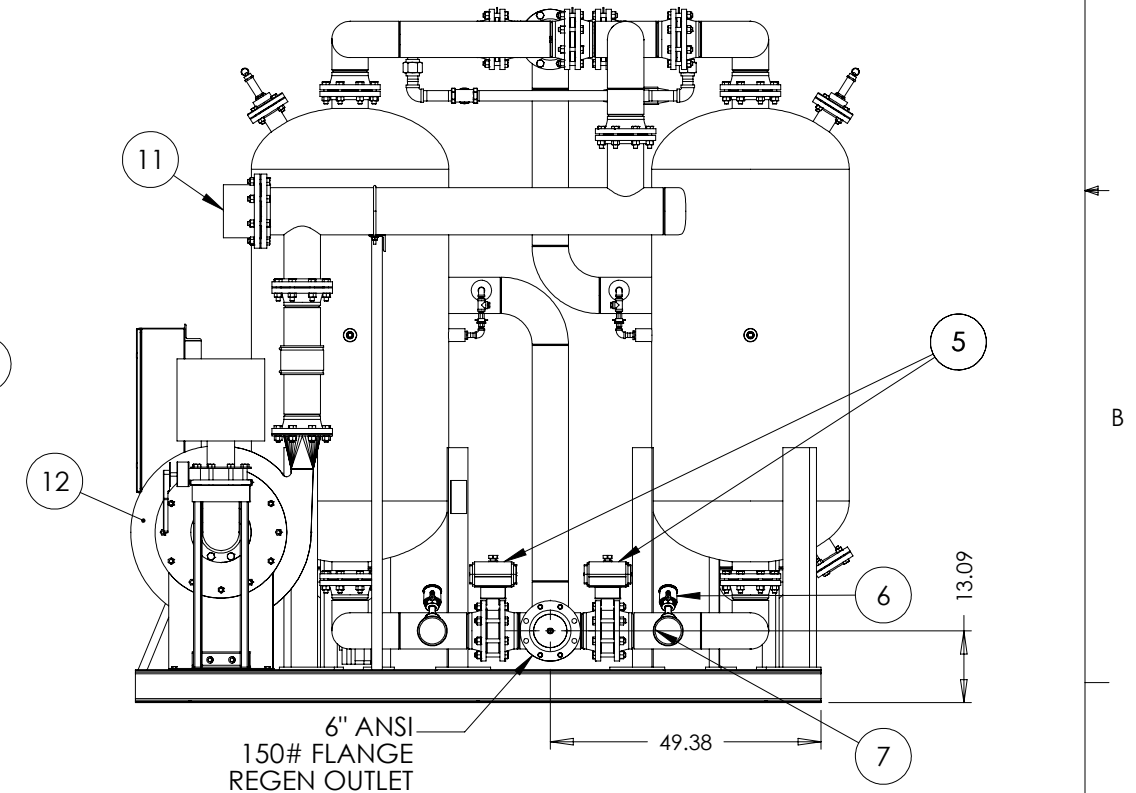
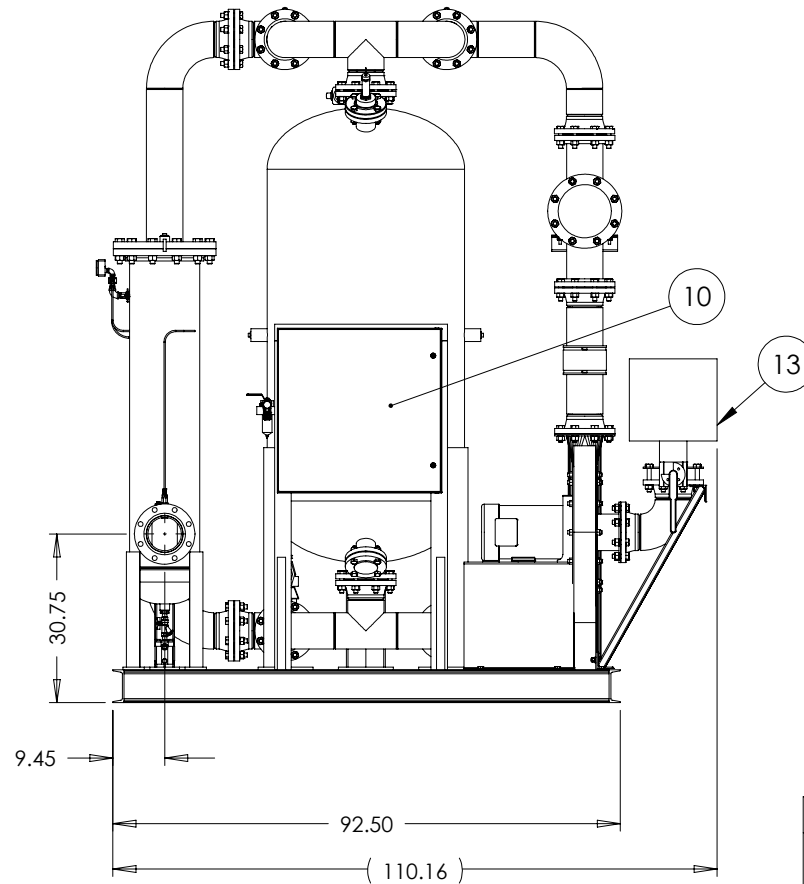
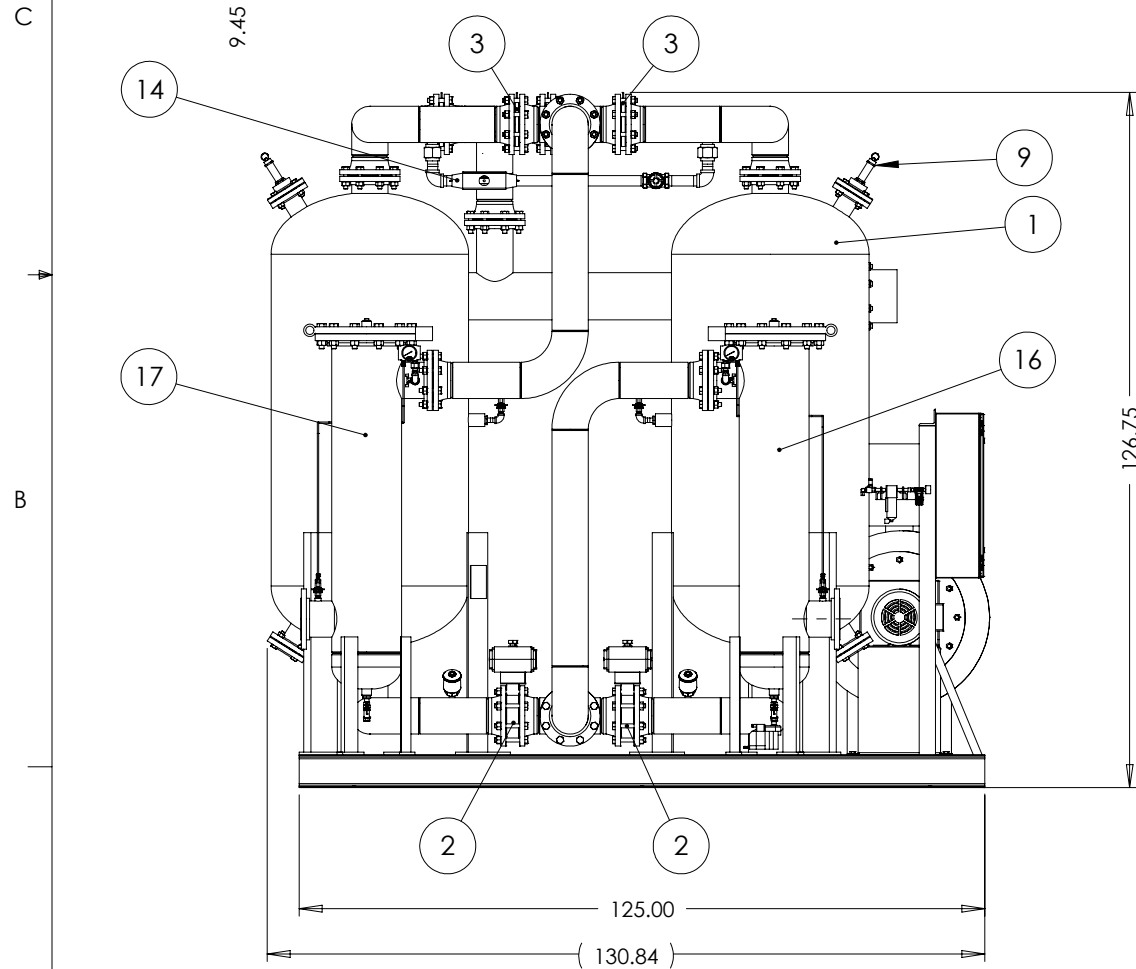



ITEM NO	QTY	DESCRIPTION
1	2	DESICCANT VESSEL
2	2	INLET BUTTERFLY VALVE
3	2	OUTLET CHECK VALVE
4	2	HEATER OUTLET CHECK VALVE
5	2	PURGE EXHAUST VALVE
6	2	DEPRESSURIZATION VALVE
7	2	DEPRESSURIZATION MUFFLER
8	2	PRESSURE GAUGE
9	2	PRESSURE RELIEF VALVE
10	1	ELECTRICAL ENCLOSURE
11	1	HEATER
12	1	REGENERATIVE BLOWER
13	1	AIR INTAKE FILTER
14	1	REPRESSURIZATION BALL VALVE
15	1	REPRESSURIZATION GLOBE VALVE
16	1	PRE-FILTER
17	1	AFTER-FILTER



INSULATION NOT SHOWN

PROPRIETARY AND CONFIDENTIAL
 THE INFORMATION CONTAINED IN THIS DRAWING IS THE SOLE PROPERTY OF AIRCEL LLC. ANY REPRODUCTION IN PART OR AS A WHOLE WITHOUT THE WRITTEN PERMISSION OF AIRCEL LLC IS PROHIBITED.

UNLESS OTHERWISE SPECIFIED:	NAME	DATE
DIMENSIONS ARE IN INCHES	DRAWN	BH 01/08/19
TOLERANCES:	CHECKED	MS 01/08/19
FRACTIONAL ± 0.125	ENG APPR.	
ANGULAR: ± 0.5°	MFG APPR.	
TWO PLACE DECIMAL ± .03	Q.A.	
THREE PLACE DECIMAL ± .003	COMMENTS:	
	PKG "B"	
MATERIAL		
FINISH		
DO NOT SCALE DRAWING		

Aircel COMPRESSED AIR & GAS PURIFICATION 323 CRISP CIRCLE MARYVILLE TENNESSEE 37801 PHONE: 865-681-7066 FAX: 865-681-7069		
TITLE: DRYER, DESICCANT, ABP-3000, PKG B ASSY, 6in PIPE, 1 PRE & AFTER FILTER, 150 PSIG, 100F, T-36		
SIZE B	DWG. NO. AG9984100-B	REV 1
SCALE: 1:50	WEIGHT:	SHEET 1 OF 1