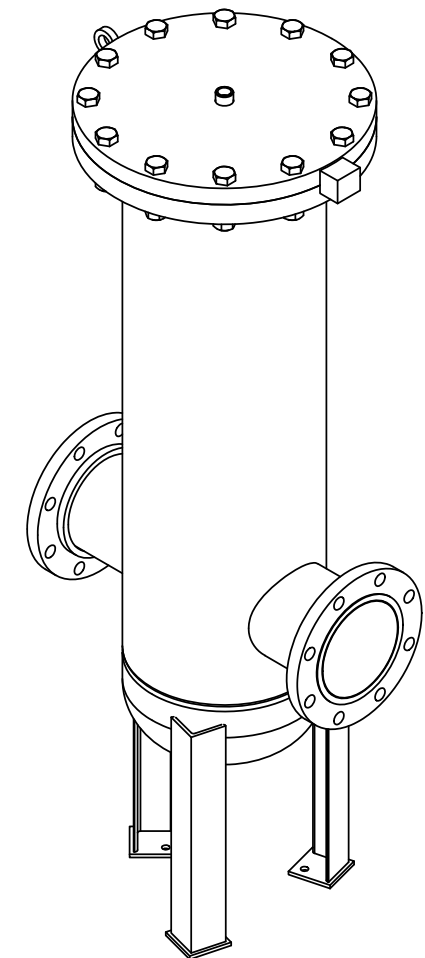
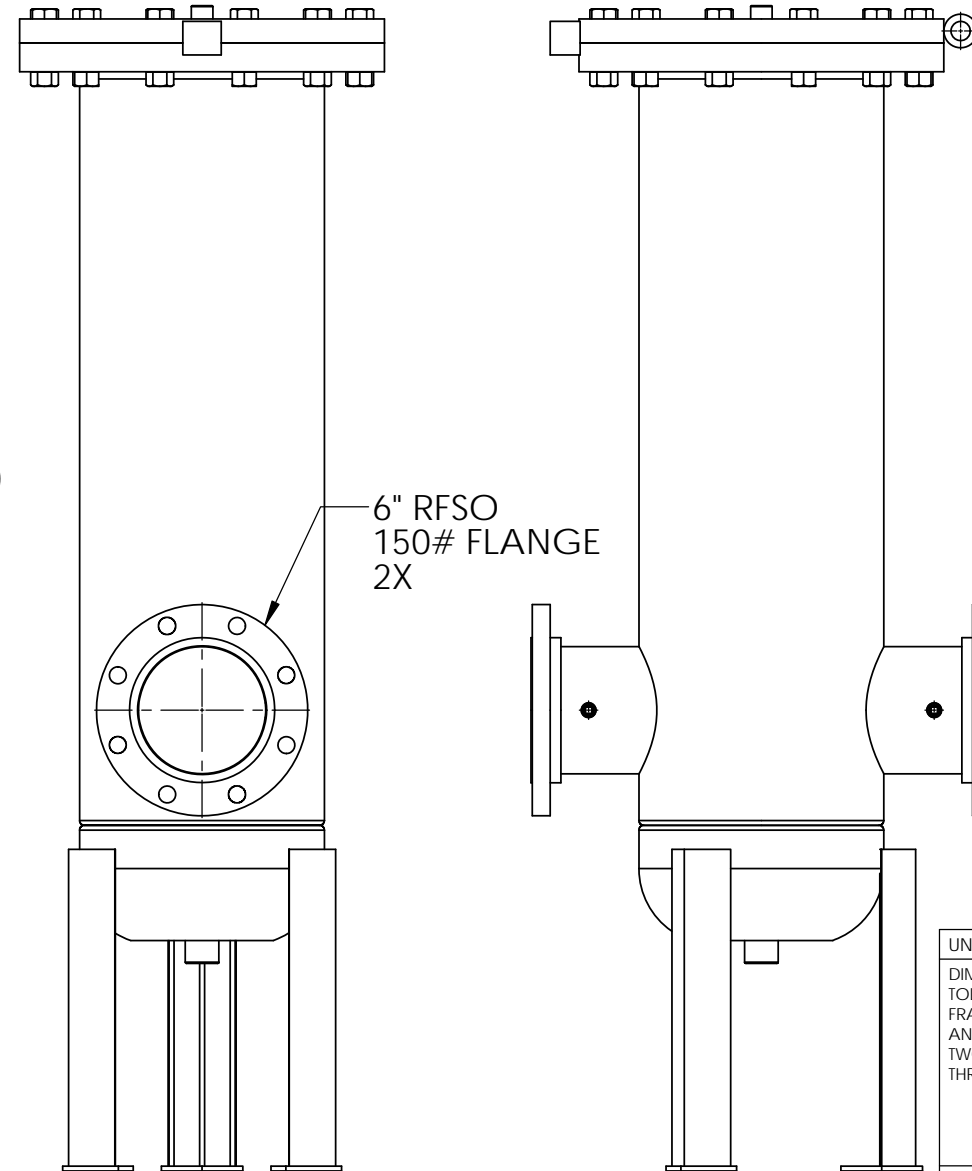
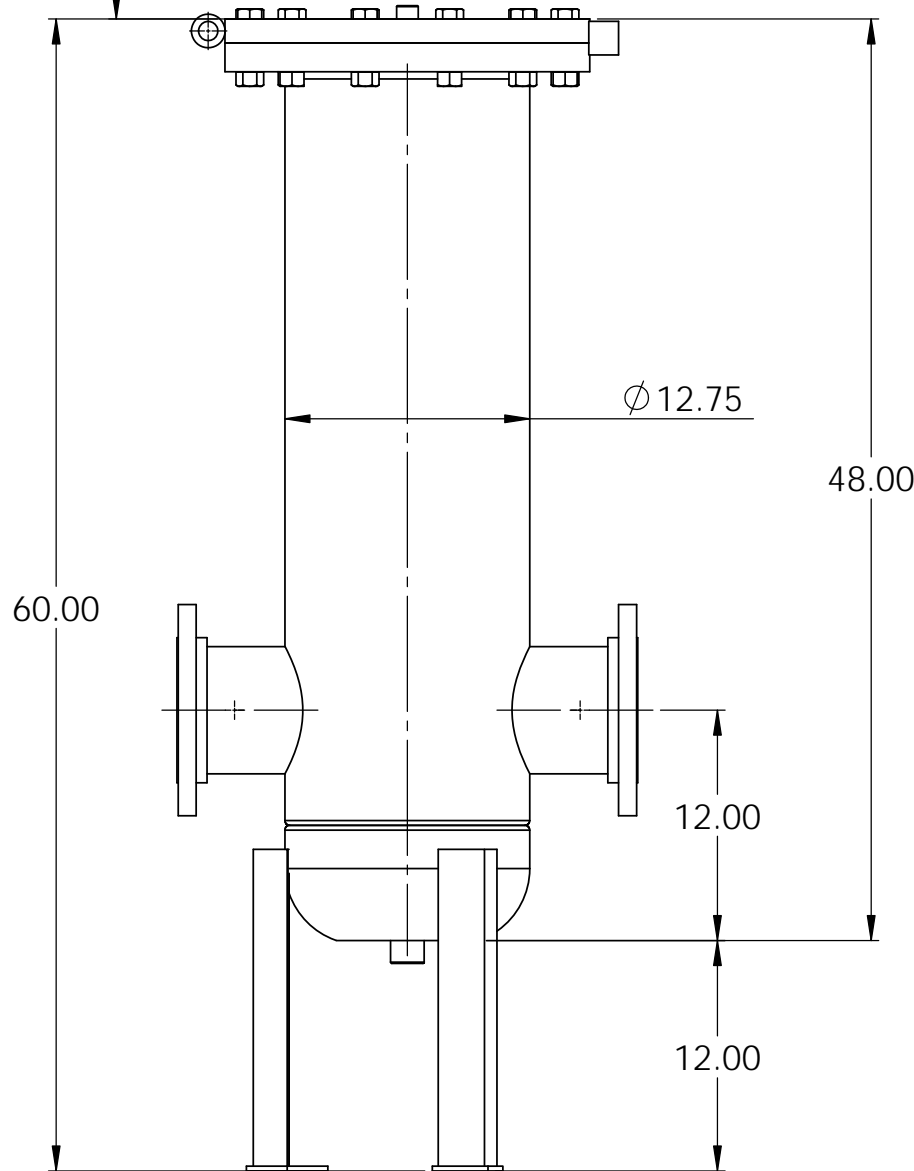


NOTES:
 DESIGNED, WELDED, INSPECTED TO ASME CODE
 SECTION VIII DIV 1, U STAMP WITH NB
 REGISTRATION 285 PSIG @ -20 TO +100 DESIGN
 HYDRO TEST-428 PSIG
 CS CONSTRUCTION (EXCEPT AS NOTED)
 6" 150# RFSO CONNECTIONS
 1/2" NPT VENT
 1/2" NPT DRAIN CONNECTION
 1/4" NPT GAUGE CONNECTION
 INTERNAL FINISH: WHITE ENAMEL
 EXTERNAL FINISH: AIRCEL BLUE ENAMEL

REPLACEMENT ELEMENT: AG3040096
 FILTER MEDIA: FIBERGLASS, FELT FILTER MEDIA; 0.3 μ RETENTION
 UPSTREAM/DOWNSTREAM FILTER JACKETS
 PERFORATED CORE

26.0 MIN SERVICE
 SPACE REQUIRED



UNLESS OTHERWISE SPECIFIED:
 DIMENSIONS ARE IN INCHES
 TOLERANCES:
 FRACTIONAL ± 0.125
 ANGULAR: ± 0.5°
 TWO PLACE DECIMAL ± .03
 THREE PLACE DECIMAL ± .003

THIRD ANGLE PROJECTION

MATERIAL	FINISH	DO NOT SCALE DRAWING
----------	--------	----------------------

NAME	DATE
O.P.	05/02/19
M.S.	05/02/19
ENG APPR.	
MFG APPR.	
Q.A.	
COMMENTS:	

Aircel COMPRESSED AIR AND GAS PRODUCTS
 323 CRISP CIRCLE
 MARYVILLE TENNESSEE 37801
 PHONE: 865-681-7066
 FAX: 865-681-7069

TITLE: MIS-3000, 6IN FLG CONN

SIZE	DWG. NO.	REV
B	AG3040087	0
SCALE: 1:10	WEIGHT:	SHEET 1 OF 1

PROPRIETARY AND CONFIDENTIAL
 THE INFORMATION CONTAINED IN THIS DRAWING IS THE SOLE PROPERTY OF
 AIRCEL LLC. ANY REPRODUCTION IN PART OR AS A WHOLE WITHOUT THE
 WRITTEN PERMISSION OF AIRCEL LLC IS PROHIBITED.