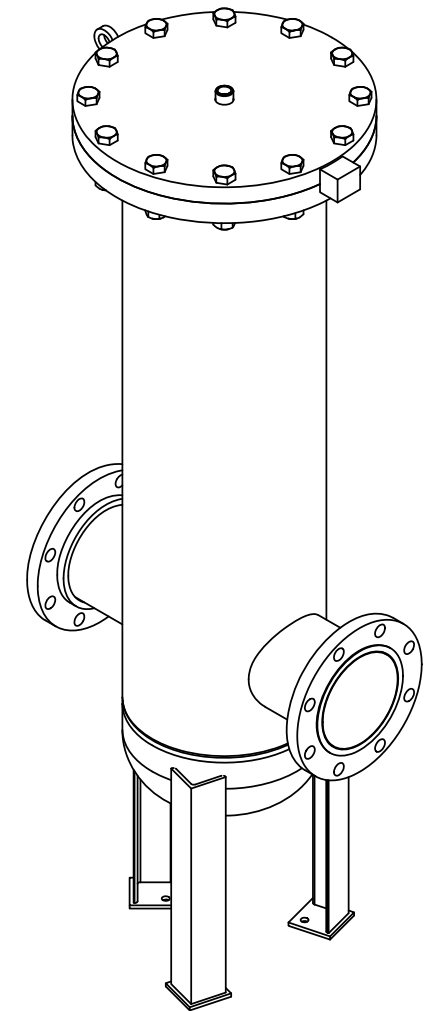
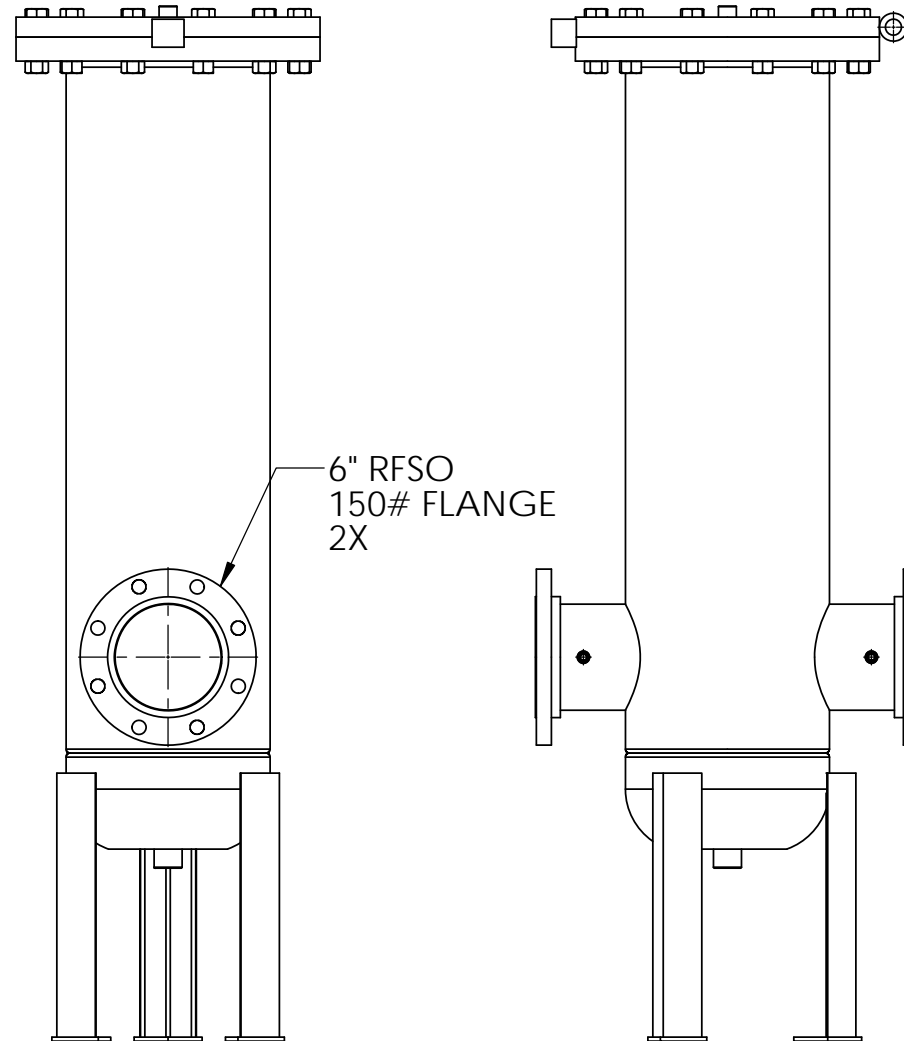
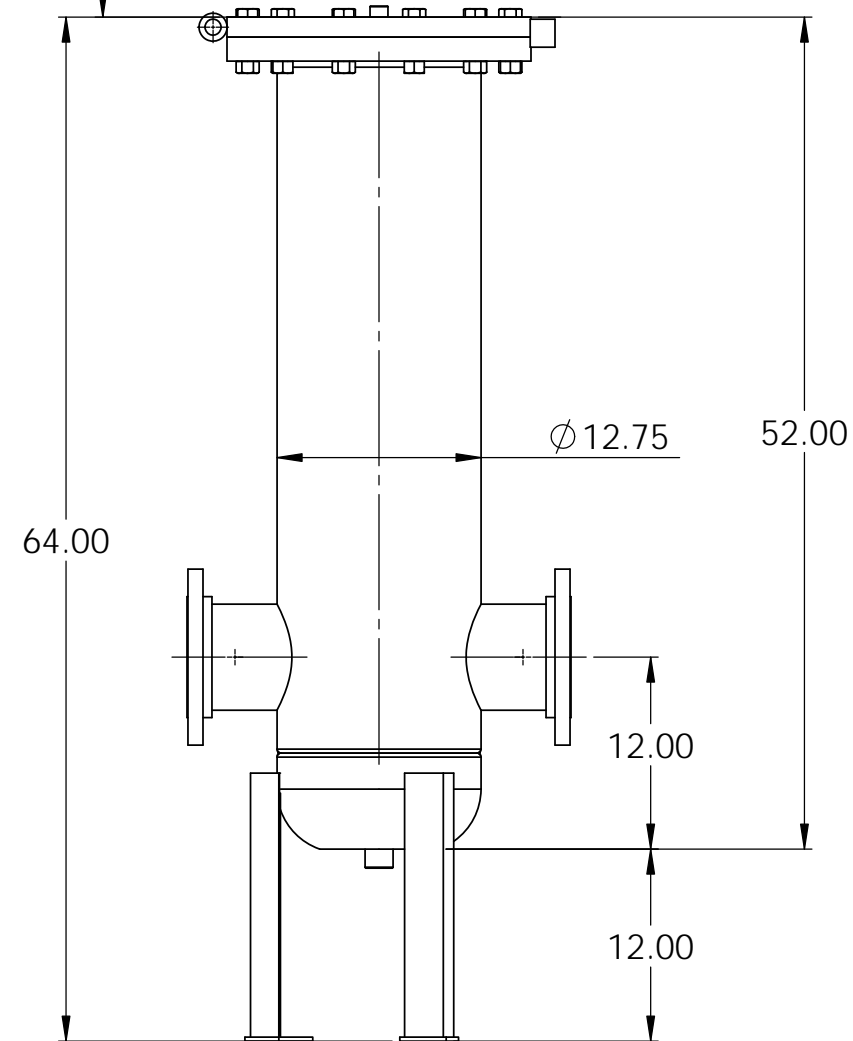




**NOTES:**  
 DESIGNED, WELDED, INSPECTED TO ASME CODE  
 SECTION VIII DIV 1, U STAMP WITH NB  
 REGISTRATION 285 PSIG @ -20 TO +100 DESIGN  
 HYDRO TEST-428 PSIG  
 CS CONSTRUCTION (EXCEPT AS NOTED)  
 6" 150# RFSO CONNECTIONS  
 1/2" NPT VENT  
 1/2" NPT DRAIN CONNECTION  
 1/4" NPT GAUGE CONNECTION  
 INTERNAL FINISH: WHITE ENAMEL  
 EXTERNAL FINISH: AIRCEL BLUE ENAMEL

REPLACEMENT ELEMENT: AG3040097  
 FILTER MEDIA: FIBERGLASS, FELT FILTER MEDIA; 0.3 μ RETENTION  
 UPSTREAM/DOWNSTREAM FILTER JACKETS  
 PERFORATED CORE

26.0 MIN SERVICE  
 SPACE REQUIRED



UNLESS OTHERWISE SPECIFIED:		NAME	DATE		COMPRESSED AIR AND GAS PRODUCTS 323 CRISP CIRCLE MARYVILLE TENNESSEE 37801 PHONE: 865-681-7066 FAX: 865-681-7069		
DIMENSIONS ARE IN INCHES TOLERANCES: FRACTIONAL ± 0.125 ANGULAR: ± 0.5° TWO PLACE DECIMAL ± .03 THREE PLACE DECIMAL ± .003		DRAWN	O.P.		05/02/19	TITLE: MIS-4500, 6IN FLG CONN	
THIRD ANGLE PROJECTION 		CHECKED	M.S.	05/02/19			
		ENG APPR.					
MATERIAL		MFG APPR.			SIZE	DWG. NO.	REV
		Q.A.			<b>B</b>	AG3040088	<b>0</b>
FINISH		COMMENTS:			SCALE: 1:10	WEIGHT:	SHEET 1 OF 1
DO NOT SCALE DRAWING							

**PROPRIETARY AND CONFIDENTIAL**  
 THE INFORMATION CONTAINED IN THIS DRAWING IS THE SOLE PROPERTY OF  
 AIRCEL LLC. ANY REPRODUCTION IN PART OR AS A WHOLE WITHOUT THE  
 WRITTEN PERMISSION OF AIRCEL LLC IS PROHIBITED.