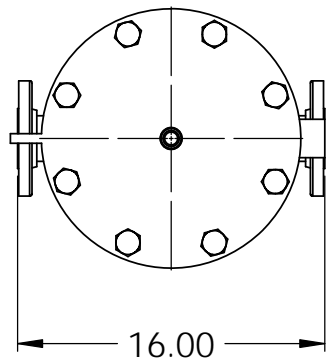


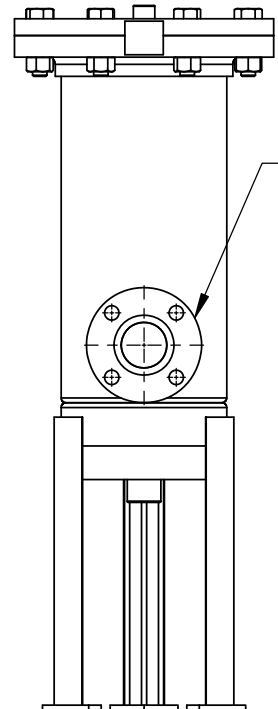
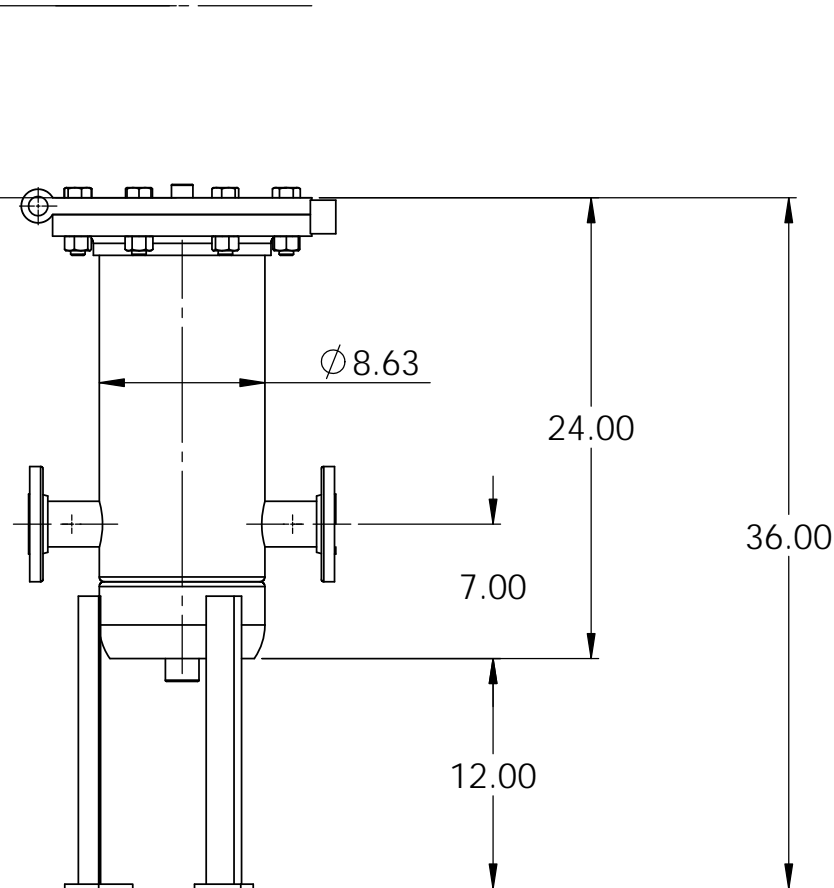
8 7 6 5 4 3 2 1

NOTES:
 DESIGNED, WELDED, INSPECTED TO ASME CODE
 SECTION VIII DIV 1, U STAMP WITH NB
 REGISTRATION 285 PSIG @ -20 TO +100 DESIGN
 HYDRO TEST-428 PSIG
 CS CONSTRUCTION (EXCEPT AS NOTED)
 2" 150# RFSO CONNECTIONS
 1/2" NPT VENT
 1/2" NPT DRAIN CONNECTION
 1/4" NPT GAUGE CONNECTION
 INTERNAL FINISH: LIGHTLY OIL
 EXTERNAL FINISH: AIRCEL BLUE ENAMEL

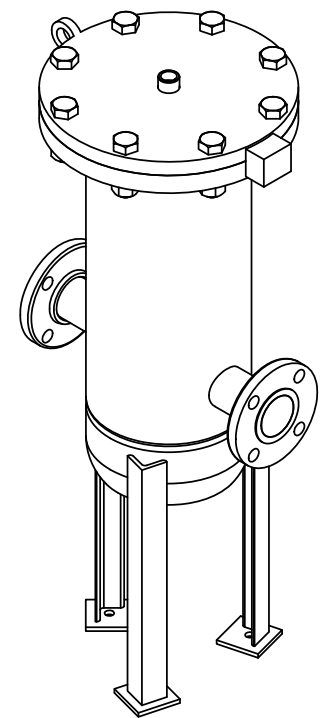
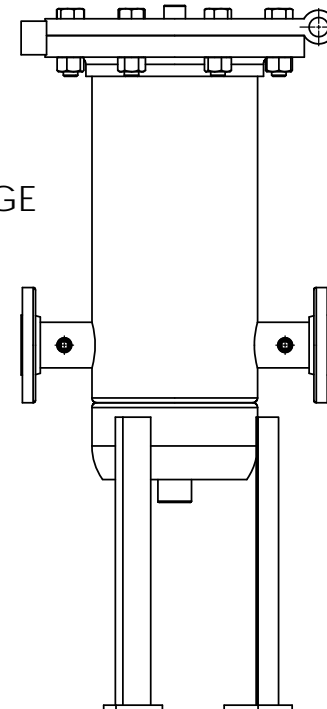
REPLACEMENT ELEMENT: AG3040091
 FILTER MEDIA: FIBERGLASS FELT MEDIA; 0.3 μ RETENTION
 UPSTREAM/DOWNSTREAM FILTER JACKETS
 PERFORATED CORE





10.00 MIN SERVICE SPACE REQUIRED



2" RFSO 150# FLANGE 2X



UNLESS OTHERWISE SPECIFIED: DIMENSIONS ARE IN INCHES TOLERANCES: FRACTIONAL ± 0.125 ANGULAR: $\pm 0.5^\circ$ TWO PLACE DECIMAL $\pm .03$ THREE PLACE DECIMAL $\pm .003$  THIRD ANGLE PROJECTION	NAME	DATE	 COMPRESSED AIR AND GAS PRODUCTS 323 CRISP CIRCLE MARYVILLE TENNESSEE 37801 PHONE: 865-681-7066 FAX: 865-681-7069	
	DRAWN	O.P.		05/02/19
	CHECKED	M.S.		05/02/19
	ENG APPR.			
	MFG APPR.			
MATERIAL	COMMENTS:		TITLE: MIS-300, 2IN FLG CONN	
FINISH	SIZE	DWG. NO.	REV	
DO NOT SCALE DRAWING	B	AG3040082	0	
	SCALE: 1:10	WEIGHT:	SHEET 1 OF 1	

PROPRIETARY AND CONFIDENTIAL
 THE INFORMATION CONTAINED IN THIS DRAWING IS THE SOLE PROPERTY OF AIRCEL LLC. ANY REPRODUCTION IN PART OR AS A WHOLE WITHOUT THE WRITTEN PERMISSION OF AIRCEL LLC IS PROHIBITED.

8 7 6 5 4 3 2 1