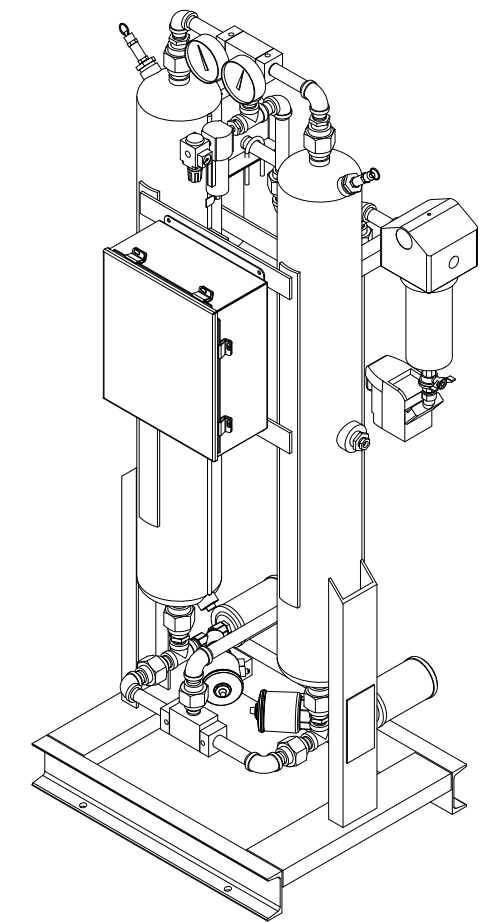



ITEM NO	QTY	DESCRIPTION
1	2	DESICCANT VESSEL
2	1	INLET SHUTTLE VALVE
3	1	OUTLET SHUTTLE VALVE
4	2	PURGE EXHAUST VALVE
5	2	EXHAUST MUFFLER
6	2	PRESSURE GAUGE
7	2	PRESSURE RELIEF VALVE
8	2	EMS SENSOR PROBE
9	1	ELECTRICAL ENCLOSURE
10	1	PRE-FILTER
11	1	AFTER FILTER
12	1	ZERO-LOSS DRAIN



UNLESS OTHERWISE SPECIFIED:		NAME	DATE	 COMPRESSED AIR AND GAS PRODUCTS 323 CRISP CIRCLE MARYVILLE TENNESSEE 37801 PHONE: 865-681-7066 FAX: 865-681-7069
DIMENSIONS ARE IN INCHES TOLERANCES: FRACTIONAL ± 0.125 ANGULAR: ± 0.5° TWO PLACE DECIMAL ± .03 THREE PLACE DECIMAL ± .003		DRAWN	O.P.	
MATERIAL		CHECKED	M.S.	02/08/12
FINISH		ENG APPR.		
DO NOT SCALE DRAWING		MFG APPR.		
		Q.A.		
		COMMENTS:		
		TITLE:		DRYER, DESICC, AHLD-70 PACK B: ASSY, 1 PRE & 1 AFTER FILTER, 150 PSIG, 100 DEG F, T-6, REV 2
		SIZE	DWG. NO.	
		B	AG9932540-B	
		SCALE: 1:20	WEIGHT:	

PROPRIETARY AND CONFIDENTIAL
 THE INFORMATION CONTAINED IN THIS DRAWING IS THE SOLE PROPERTY OF AIRCEL LLC. ANY REPRODUCTION IN PART OR AS A WHOLE WITHOUT THE WRITTEN PERMISSION OF AIRCEL LLC IS PROHIBITED.