

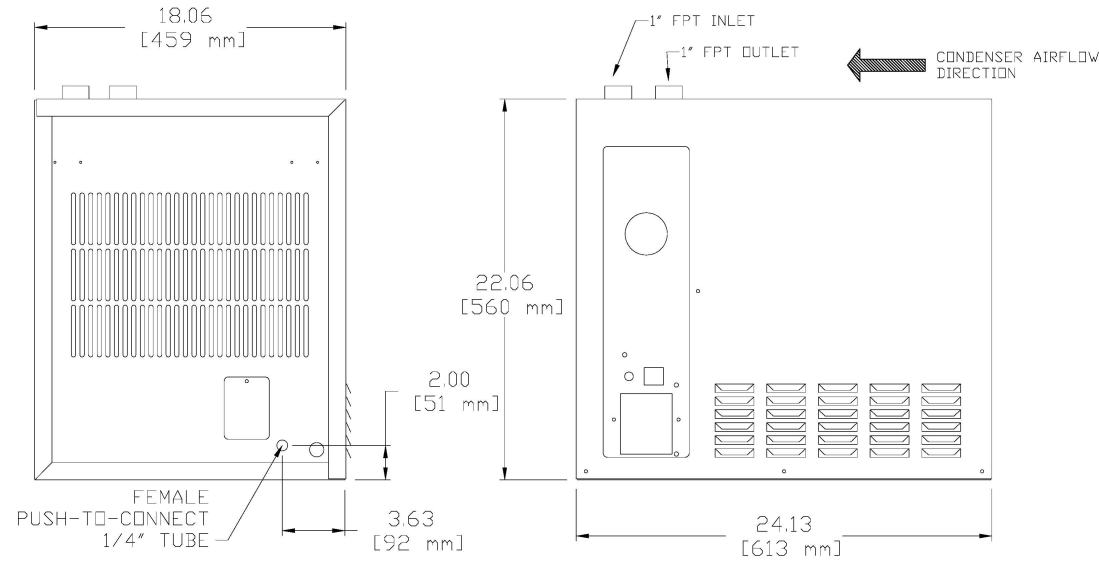
REFRIGERATED NON-CYCLING

COMPRESSED AIR DRYERS

DHT SERIES

MODEL DHT-50
50 SCFM HIGH-TEMP REFRIGERATED NON-CYCLING
AIR DRYER

Aircel's DHT line of high-temperature refrigerated dryers are focused on reliable, constant dewpoint performance in all flow conditions. With its excellent heat transfer coefficients and low pressure drop, these dryers will outperform the competition in protecting your compressed air system, machinery and tools; and will improve your manufacturing processes.



MODEL DHT-50 DIMENSIONS

STANDARD FEATURES

- ◇ Patented High Efficiency four Stage Aluminum Block Heat Exchanger
- ◇ Integrated Regenerating Heat Exchanger Prevents "Sweating" of Pipes
- ◇ Moisture Separator Integrated into Heat Exchanger
- ◇ Hot Gas Bypass Valve for Low-Load Condition
- ◇ Heavy Duty Industrial Powder Coated Steel Cabinet with Access Panel
- ◇ Refrigerant Suction Gauge
- ◇ Environmentally Friendly R-134a Refrigerant
- ◇ Refrigerant Liquid Line Filter

AVAILABLE OPTIONS

- ◇ Water Cooled Condenser
- ◇ Corrosive Environment Protection
- ◇ Elevated NEMA Ratings Through NEMA 7 Class I, Division I
- ◇ Pre-Sized Filter Package
- ◇ Dryer Bypass System
- ◇ Additional Gauges: Air Temperature, Air Pressure, Refrigerant Discharge
- ◇ Stainless Steel Piping
- ◇ Alternate Voltages

Contact an Aircel representative for assistance with custom requirements.

MECHANICAL SPECS

Flow Capacity, 38°F Dewpoint	50 SCFM
Inlet Air Pressure, Design / Max	175 / 200 PSIG
Inlet Air Temperature, Design / Max ¹	180 / 205 °F
Ambient Air Temperature, Design / Max / Min ¹	100 / 120 / 40 °F
Pressure Loss, Design	1.2 PSI
Condenser Type	Air Cooled
Cooling Air Flow	300 CFM
Heat Rejection	7.4 kBTU/hr
Air Connections	1" FPT
Condensate Connection	1/4" Tube
Unit Weight	132 LBS

ELECTRICAL SPECS

Power Connection	115-1-60
Full Load Power	0.90 kW
Rated Load	10.7 A
NEMA Rating	1



AIRCEL LLC
 323 CRISP CIRCLE
 MARYVILLE, TENNESSEE
 37801

PHONE
 (800) 767-4599
 LOCAL: (865) 681-7066
 FAX: (865) 681-7069

SALES INFORMATION
 sales@airceldryers.com
 REQUEST LITERATURE:
 litrequest@airceldryers.com

¹ Unit performance may be reduced at elevated inlet and/or ambient temperatures.